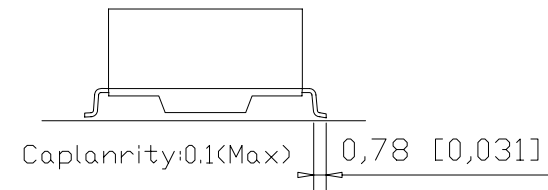
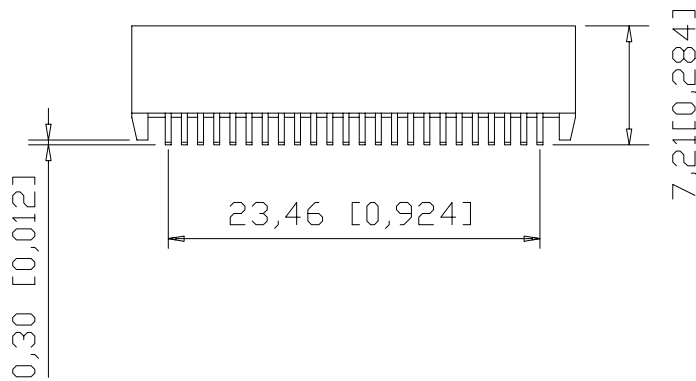
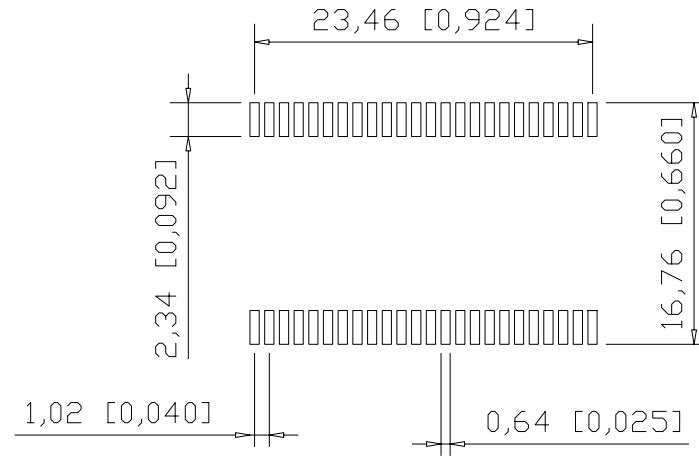
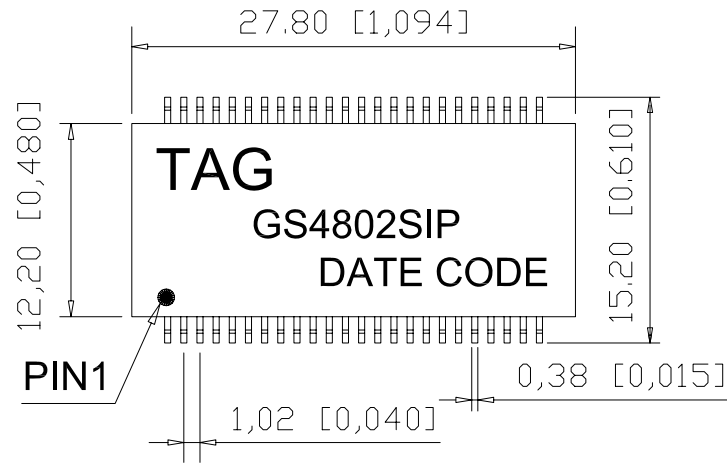


# 1. MECHANICAL DIMENSIONS :

REV.	CHANGGE DESCRIPTION	DATE
A	New Issue	2011-9-17
B	修改排距尺寸	2012-4-24
C	增加平整度标识	2019-2-20



NOTE. DIMENSIONS:MM(INCHES)/UNLESS OTHERWISE SPECIFIED ALL TOLERANCES ARE  $\pm 0.25$ (0.010).

**TAG** 億客科技股份有限公司  
ECO TECH CO., LTD.

A4  
SIZE

TAG PART NO.:  
GS4802SIP

VENDOR PART NO.:

Drawn: 肖丽芬

Designed: Evan

Approved: Paul Li

Date: 2019-2-20

THESE DRAWINGS AND SPECIFICATIONS ARE THE PROPERTY OF TAG TECHNOLOGY CO., LTD. AND SHALL NOT BE REPRODUCED OR USED AS THE BASIS FOR THE MANUFACTURE OR SELL OF APPARATUSSES OR DEVICES WITHOUT PERMISSION.



DESCRIPTION:

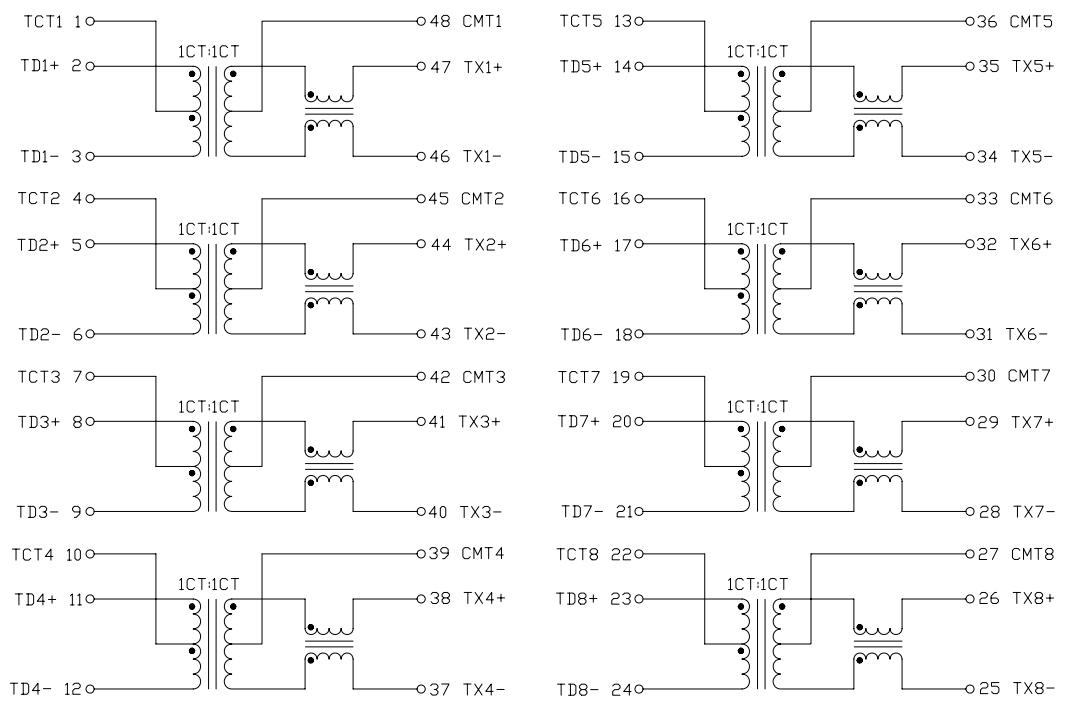
100/1000 BASE-T TRANSFORMER MODULES

UNIT	mm[inch]	USED ON
SHEET	1	OF 2

REV. C

REV.	CHANGE DESCRIPTION	DATE
A	New Issue	2011-9-17
B	修改排距尺寸	2012-4-24
C	增加平整度标识	2019-2-20

## 2. SCHEMATIC:



## 3. ELECTRICAL CHARACTERISTICS :

TEST NOTES:(25°±5°C)

- TR:(100KHz,0.1V); 100%  
PINS:(2,3):(47,46)=1:1±3%;(5,6):(44,43)=1:1±3%  
PINS:(8,9):(41,40)=1:1±3%;(11,12):(38,37)=1:1±3%  
PINS:(14,15):(35,34)=1:1±3%;(17,18):(32,31)=1:1±3%  
PINS:(20,21):(29,28)=1:1±3%;(23,24):(26,25)=1:1±3%
- LX:(100KHz,100mV,8mA, DC Bias); 100%  
PINS:(2,3),(5,6),(8,9),(11,12),(14,15),(17,18),(20,21),(23,24)=350uH MINIMUM
- DCR; 100%  
PINS:(47,46),(44,43)(41,40),(38,37),(35,34),(32,31),(29,28),(26,25)=1.4Ω MAXIMUM
- HIPOT; 100%  
PINS:(2,1,3)TO(47,48,46),(5,4,6)TO(44,45,43)=1500VAC FOR 60 SECONDS  
PINS:(8,7,9)TO(41,42,40),(11,10,12)TO(38,39,37)=1500VAC FOR 60 SECONDS  
PINS:(14,13,15)TO(35,36,34),(17,16,18)TO(32,33,31)=1500VAC FOR 60 SECONDS  
PINS:(20,19,21)TO(29,30,28),(23,22,24)TO(26,27,25)=1500VAC FOR 60 SECONDS
- INSERTION LOSS:  
-1.4dB MAXIMUM AT 0.3MHz TO 100MHz;
- RETURN LOSS:  
-16dB MINIMUM AT 0.3MHz TO 30MHz;  
-14dB MINIMUM AT 30MHz TO 60MHz;  
-12dB MINIMUM AT 60MHz TO 80MHz;  
-10dB MINIMUM AT 80MHz TO 100MHz;
- CROSS TALK  
-35dB MINIMUM AT 0.3MHz TO 30MHz;  
-28dB MINIMUM AT 60MHz TO 100MHz;
- COMMON TO COMMON MADE REJECTION:  
-45dB MINIMUM AT 1MHz TO 30MHz;  
-40dB MINIMUM AT 30MHz TO 60MHz;  
-35dB MINIMUM AT 60MHz TO 100MHz;
- 720mA CURRENT CAPABILITY.
- OPERATING TEMPERATURE -40°C to +85°C

**TAG** 億客科技股份有限公司  
ECO TECH CO., LTD.

A4 SIZE  
TAG PART NO.:  
GS4802SIP

VENDOR PART NO.:  
Drawn: 肖丽芬

THESE DRAWINGS AND SPECIFICATIONS ARE THE PROPERTY OF TAG TECHNOLOGY CO., LTD. AND SHALL NOT BE REPRODUCED OR USED AS THE BASIS FOR THE MANUFACTURE OR SELL OF APPARATUS OR DEVICES WITHOUT PERMISSION.



DESCRIPTION:  
100/1000 BASE-T TRANSFORMER MODULES

UNIT	mm[inch]	USED ON
SHEET	2 OF 2	REV. C

Designed: Evan  
Approved: Paul Li  
Date: 2019-2-20